

# PALM CITY IRONWORKS

## MILANO SERIES FIXED WINDOWS (IMPACT) (HVHZ)



PALM CITY IRONWORKS  
3160 KUTAK RD.  
FORT MYERS, FL 33916

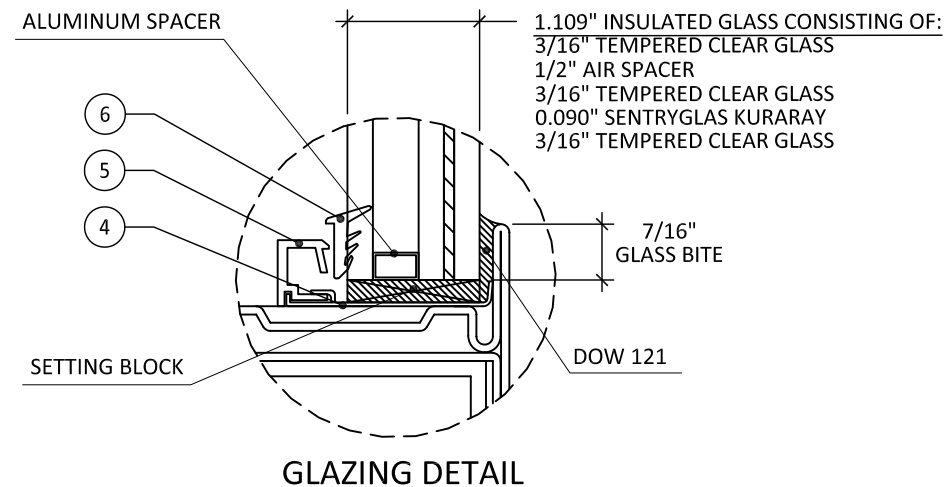
PH: (239) 691-8400 FX: (239)277-0061

### GENERAL NOTES:

1. THE PRODUCT SHOWN HEREIN IS DESIGNED AND MANUFACTURED TO COMPLY WITH THE CURRENT EDITION FLORIDA BUILDING CODE (FBC), INCLUDING HVHZ AND HAS BEEN EVALUATED ACCORDING TO THE FOLLOWING:
  - TAS 201-94
  - TAS 202-94
  - TAS 203-94
  - ASTM E330-02
  - ASTM E283-04
  - ASTM E331-00
  - ASTM E1886-13a
  - ASTM E1996-14a
2. ADEQUACY OF THE EXISTING STRUCTURAL CONCRETE/MASONRY, 2X WOOD & STEEL FRAMING AS A MAIN WIND FORCE RESISTING SYSTEM CAPABLE OF WITHSTANDING AND TRANSFERRING APPLIED PRODUCT LOADS TO THE FOUNDATION IS THE RESPONSIBILITY OF THE ENGINEER OR ARCHITECT OF RECORD FOR THE PROJECT OF INSTALLATION.
3. 1X AND 2X BUCKS (WHEN USED) SHALL BE DESIGNED AND ANCHORED TO PROPERLY TRANSFER ALL LOADS TO THE STRUCTURE. BUCK DESIGN AND INSTALLATION IS THE RESPONSIBILITY OF THE ENGINEER OR ARCHITECT OF RECORD FOR THE PROJECT OF INSTALLATION.
4. THE INSTALLATION DETAILS DESCRIBED HEREIN ARE GENERIC AND MAY NOT REFLECT ACTUAL CONDITIONS FOR A SPECIFIC SITE. IF SITE CONDITIONS CAUSE INSTALLATION TO DEVIATE FROM THE REQUIREMENTS DETAILED HEREIN, A LICENSED ENGINEER OR ARCHITECT SHALL PREPARE SITE SPECIFIC DOCUMENTS FOR USE WITH THIS DOCUMENT. FOR NON-HVHZ AREA, INSTALLATION TO BE REVIEWED BY AHJ (AUTHORITY HAVING JURISDICTION).
5. DEVIATION FROM THIS FLORIDA PRODUCT APPROVAL IN HVHZ AREA REQUIRES A ONE TIME APPROVAL FROM MIAMI-DADE COUNTY RER OR AHJ.
6. APPROVED IMPACT PROTECTIVE SYSTEM **IS NOT REQUIRED** ON THIS PRODUCT IN AREAS REQUIRING IMPACT RESISTANCE.
7. WINDOW MATERIAL: Q235B STEEL
8. GLASS MEETS THE REQUIREMENTS OF ASTM E 1300 GLASS CHARTS. SEE SHEET 1 FOR GLAZING DETAILS.
9. DISSIMILAR METALS INCLUDING FASTENERS THAT MAY COME INTO CONTACT WITH ALUMINUM COMPONENTS SHALL BE PROTECTED IN ACCORDANCE WITH THE CURRENT FBC REQUIREMENTS CHAPTER 20.
10. CUSTOM SIZES AVAILABLE UPON REQUEST.

TABLE OF CONTENTS		
SHEET	REVISION	SHEET DESCRIPTION
1	-	GENERAL NOTES & GLAZING DETAIL
2	-	ELEVATION & ANCHOR LAYOUT
3	-	ELEVATION & ANCHOR LAYOUT
4	-	ELEVATION & ANCHOR LAYOUT
5	-	VERTICAL SECTIONS
6	-	HORIZONTAL SECTIONS
7	-	INSTALLATION DETAIL & NOTES
8	-	BILL OF MATERIALS & COMPONENTS

DESIGN PRESSURE RATING			
MAX. OVERALL FRAME SIZE		DESIGN PRESSURE	MISSILE IMPACT RATING
WIDTH	HEIGHT		
84.00"	120.00"	+80.0/-80.0 PSF	SMI/LMI
84.00"	120.00"		
84.00"	120.00"		



- GLAZING NOTES:**
1. GLASS TYPE AND THICKNESS SHALL COMPLY WITH ASTM E1300 REQUIREMENTS AS WELL AS APPLICABLE SAFETY GLAZING REQUIREMENTS PER THE FBC. THICKNESS, TEMPER, AND SAFETY GLAZING REQUIREMENTS SHALL BE REVIEWED ON A SITE SPECIFIC BASIS.
  2. SETTING BLOCK DUROMETER HARDNESS OF 70-90 (SHORE A) AS REFERENCED IN FBC CHAPTER 24.
  3. SETTING BLOCKS TO BE LOCATED AT 1/4 SPAN LENGTH FOR GLASS WIDER THAN 36" AS PER FBC CHAPTER 24.
  4. D.L.O. AND DESIGN PRESSURES MAY NOT EXCEED MAX VALUES SHOWN HEREIN.

TITLE: MILANO SERIES FIXED WINDOWS (IMPACT) (HVHZ)

GENERAL NOTES, TABLE OF CONTENTS DESIGN RATINGS AND GLAZING DETAIL

PREPARED BY: BUILDING DROPS, INC.  
398 E. DANIA BEACH BLVD., STE. 338  
DANIA BEACH, FL 33004  
PH: (954)399-8478  
FAX: (954)744-4738  
WEB: www.buildingdrops.com

REMARKS	BY	DATE

THE INSTALLATION DETAILS DESCRIBED HEREIN ARE GENERIC AND MAY NOT REFLECT ACTUAL CONDITIONS FOR A SPECIFIC SITE. IF SITE CONDITIONS CAUSE INSTALLATION TO DEVIATE FROM THE REQUIREMENTS DETAILED HEREIN, A LICENSED ENGINEER OR ARCHITECT SHALL PREPARE SITE SPECIFIC DOCUMENTS FOR USE WITH THIS DOCUMENT

HERMES F. NORERO  
FLORIDA P. E. NO. 73778  
398 E. DANIA BEACH BLVD., STE. 338  
DANIA BEACH, FL 33004  
FBPE CERT. OF AUTHORIZATION NO. 29578

FL27073

DATE: 03.21.19

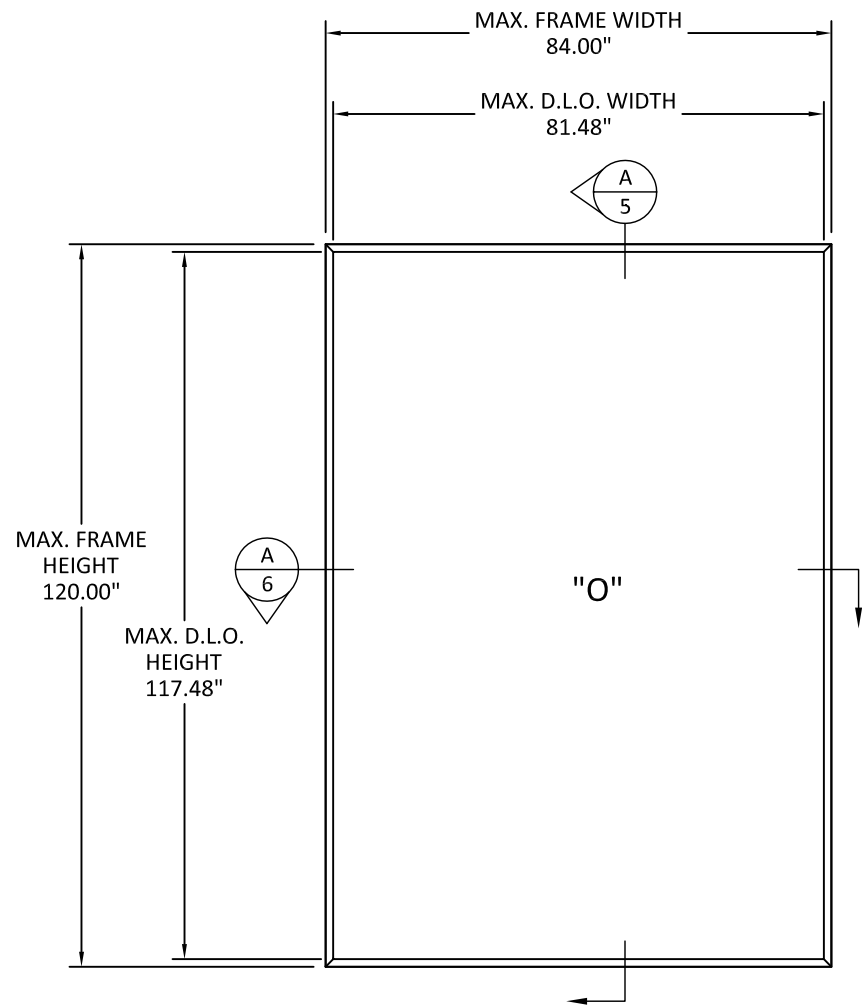
DWG. BY: JA	CHK. BY: HFN
-------------	--------------

SCALE: NTS

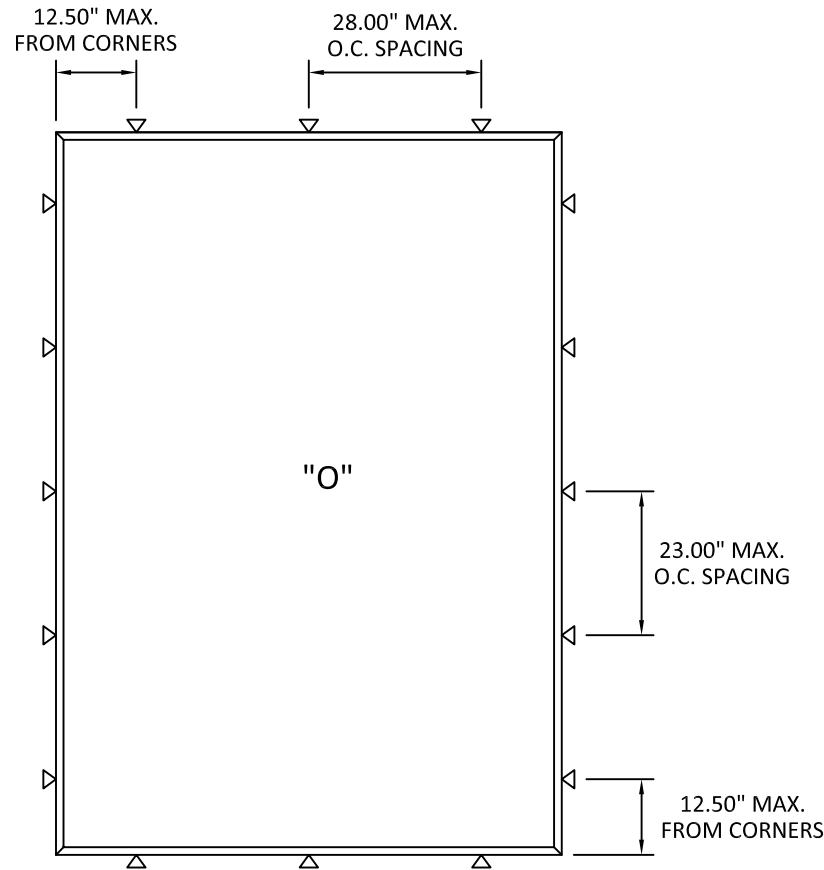
DWG. #: PCI007

SHEET: 1 OF 8

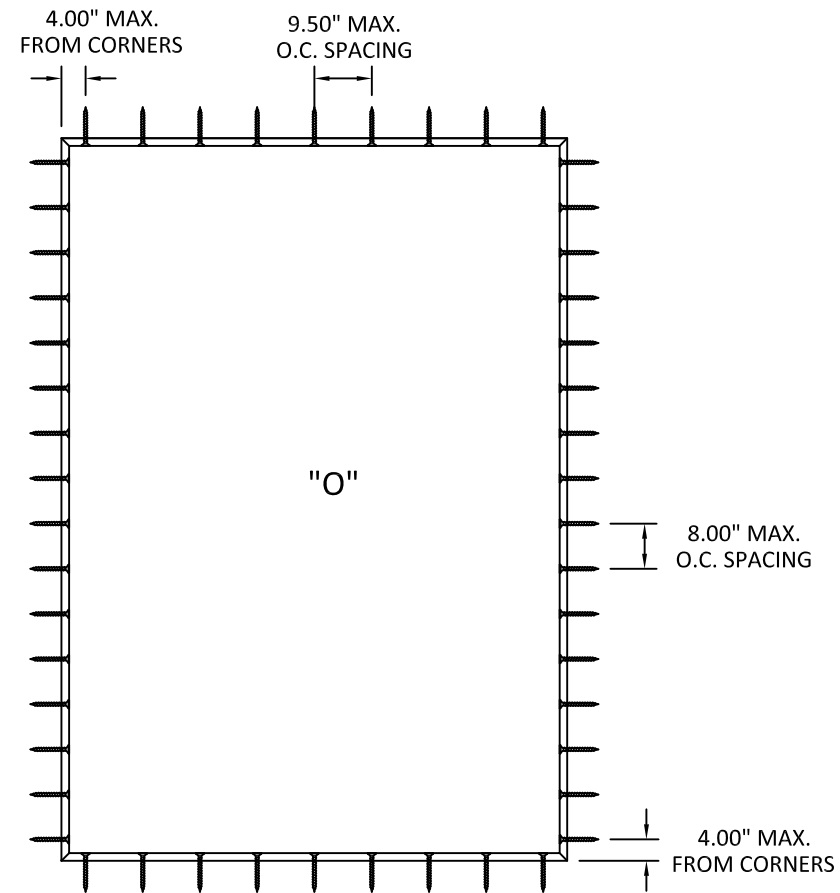
s:\projects\palmcity\ironworks\inc\fb-19-0247-2-fb-submittal-fl27073-01\27073-milano-series-fixed-window\pci007.dwg 4/22/2019 3:57 PM



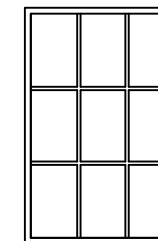
ELEVATION  
EXTERIOR VIEW





TYPICAL ANCHOR LAYOUT  
THROUGH BRACKET



TYPICAL ANCHOR LAYOUT  
THROUGH FRAME



SIMULATED DIVIDED LITE  
ALSO QUALIFIED

-  THROUGH BRACKET ANCHORS
-  THROUGH FRAME ANCHORS



PALM CITY IRONWORKS  
3160 KUTAK RD.  
FORT MYERS, FL 33916

PH: (239) 691-8400 FX: (239) 277-0061

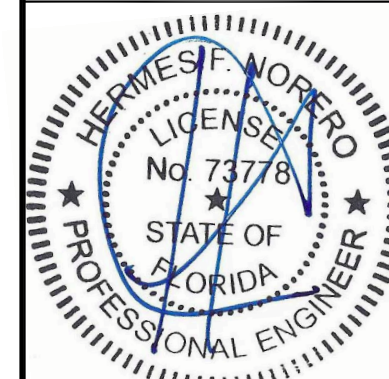
TITLE: MILANO SERIES FIXED  
WINDOWS (IMPACT)  
(HVHZ)  
ELEVATION & ANCHOR LAYOUT

PREPARED BY:  
BUILDING DROPS, INC.  
398 E. DANIA BEACH BLVD., STE. 338  
DANIA BEACH, FL 33004  
PH: (954) 399-8478  
FAX: (954) 744-4738  
WEB: www.buildingdrops.com



REMARKS	BY	DATE

THE INSTALLATION DETAILS DESCRIBED HEREIN ARE GENERIC AND MAY NOT REFLECT ACTUAL CONDITIONS FOR A SPECIFIC SITE. IF SITE CONDITIONS CAUSE INSTALLATION TO DEVIATE FROM THE REQUIREMENTS DETAILED HEREIN, A LICENSED ENGINEER OR ARCHITECT SHALL PREPARE SITE SPECIFIC DOCUMENTS FOR USE WITH THIS DOCUMENT



HERMES F. NORERO  
FLORIDA P. E. NO. 73778  
398 E. DANIA BEACH BLVD., STE. 338  
DANIA BEACH, FL 33004  
FBPE CERT. OF AUTHORIZATION NO. 29578

FL27073

DATE: 03.21.19

DWG. BY: JA

CHK. BY: HFN

SCALE: NTS

DWG. #: PCI007

SHEET:

2

OF 8



PALM CITY IRONWORKS  
3160 KUTAK RD.  
FORT MYERS, FL 33916

PH: (239) 691-8400 FX: (239)277-0061

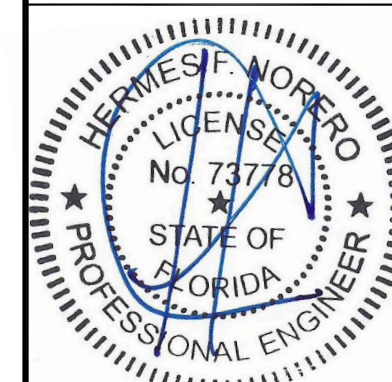
TITLE: MILANO SERIES FIXED  
WINDOWS (IMPACT)  
(HVHZ)  
ELEVATION & ANCHOR LAYOUT

PREPARED BY:  
**BUILDING DROPS, INC.**  
398 E. DANIA BEACH BLVD., STE. 338  
DANIA BEACH, FL 33004  
PH: (954)399-8478  
FAX: (954)744-4738  
WEB: www.buildingdrops.com



REMARKS	BY	DATE

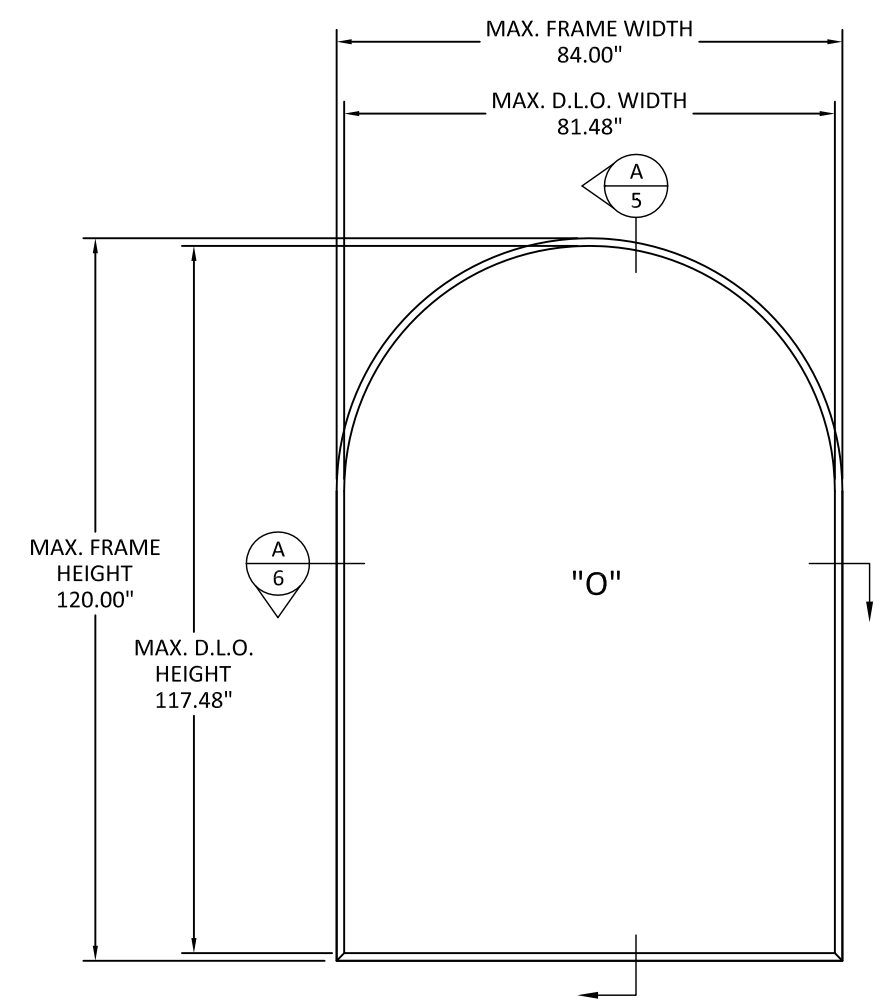
THE INSTALLATION DETAILS DESCRIBED HEREIN ARE GENERIC AND MAY NOT REFLECT ACTUAL CONDITIONS FOR A SPECIFIC SITE. IF SITE CONDITIONS CAUSE INSTALLATION TO DEVIATE FROM THE REQUIREMENTS DETAILED HEREIN, A LICENSED ENGINEER OR ARCHITECT SHALL PREPARE SITE SPECIFIC DOCUMENTS FOR USE WITH THIS DOCUMENT



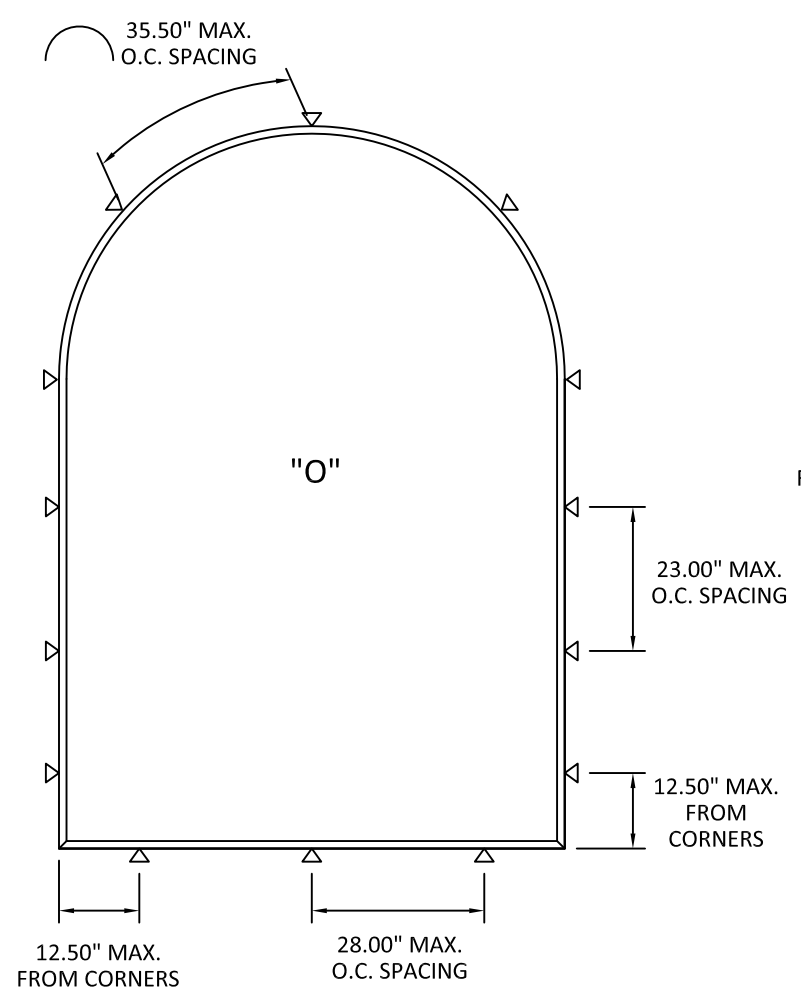
HERMES F. NORERO  
FLORIDA P. E. NO. 73778  
398 E. DANIA BEACH BLVD., STE. 338  
DANIA BEACH, FL 33004  
FBPE CERT. OF AUTHORIZATION NO. 29578

**FL27073**

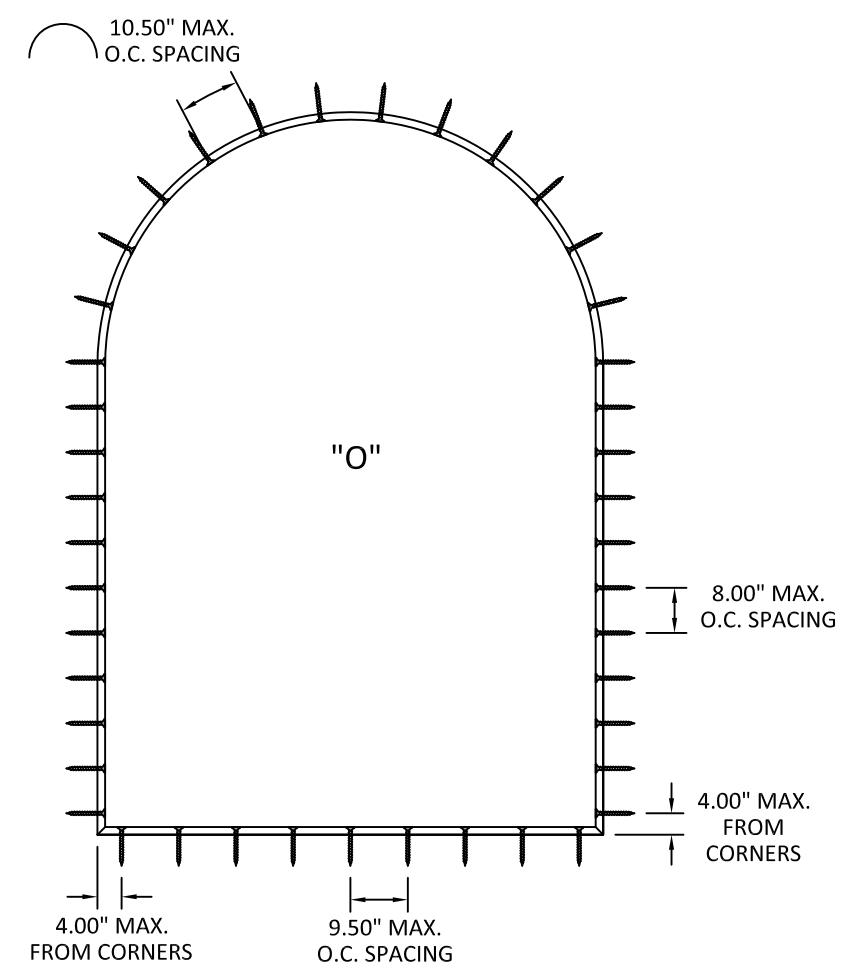
DATE:	<b>03.21.19</b>
DWG. BY:	<b>JA</b>
CHK. BY:	<b>HFN</b>
SCALE:	<b>NTS</b>
DWG. #:	<b>PCI007</b>
SHEET:	<b>3</b>



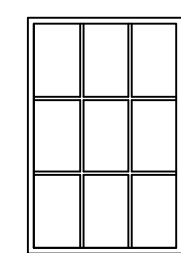
ELEVATION  
EXTERIOR VIEW



TYPICAL ANCHOR LAYOUT  
THROUGH BRACKET



TYPICAL ANCHOR LAYOUT  
THROUGH FRAME



SIMULATED DIVIDED LITE  
ALSO QUALIFIED

- THROUGH BRACKET ANCHORS
- THROUGH FRAME ANCHORS

s:\projects\palmcity\ironworks,inc\fb-19-0247-2-fb-submittal-fl27073.dwg 4/22/2019 3:57 PM



PALM CITY IRONWORKS  
3160 KUTAK RD.  
FORT MYERS, FL 33916

PH: (239) 691-8400 FX: (239)277-0061

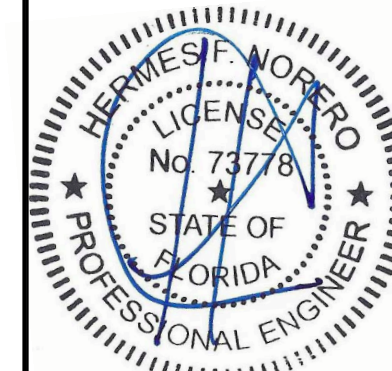
TITLE: MILANO SERIES FIXED  
WINDOWS (IMPACT)  
(HVHZ)  
ELEVATION & ANCHOR LAYOUT

PREPARED BY:  
**BUILDING DROPS, INC.**  
398 E. DANIA BEACH BLVD., STE. 338  
DANIA BEACH, FL 33004  
PH: (954)399-8478  
FAX: (954)744-4738  
WEB: www.buildingdrops.com



REMARKS	BY	DATE

THE INSTALLATION DETAILS DESCRIBED HEREIN ARE GENERIC AND MAY NOT REFLECT ACTUAL CONDITIONS FOR A SPECIFIC SITE. IF SITE CONDITIONS CAUSE INSTALLATION TO DEVIATE FROM THE REQUIREMENTS DETAILED HEREIN, A LICENSED ENGINEER OR ARCHITECT SHALL PREPARE SITE SPECIFIC DOCUMENTS FOR USE WITH THIS DOCUMENT



HERMES F. NORERO  
FLORIDA P. E. NO. 73778  
398 E. DANIA BEACH BLVD., STE. 338  
DANIA BEACH, FL 33004  
FBPE CERT. OF AUTHORIZATION NO. 29578

**FL27073**

DATE: 03.21.19

DWG. BY: JA      CHK. BY: HFN

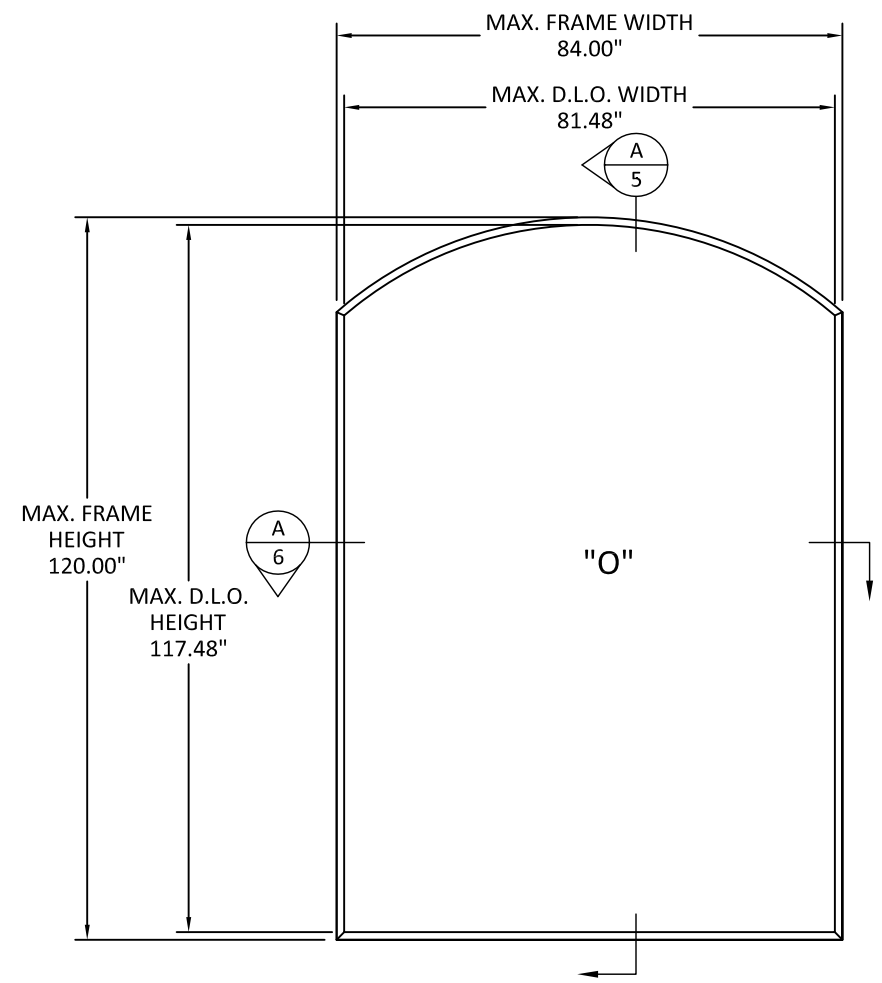
SCALE: NTS

DWG. #: PCI007

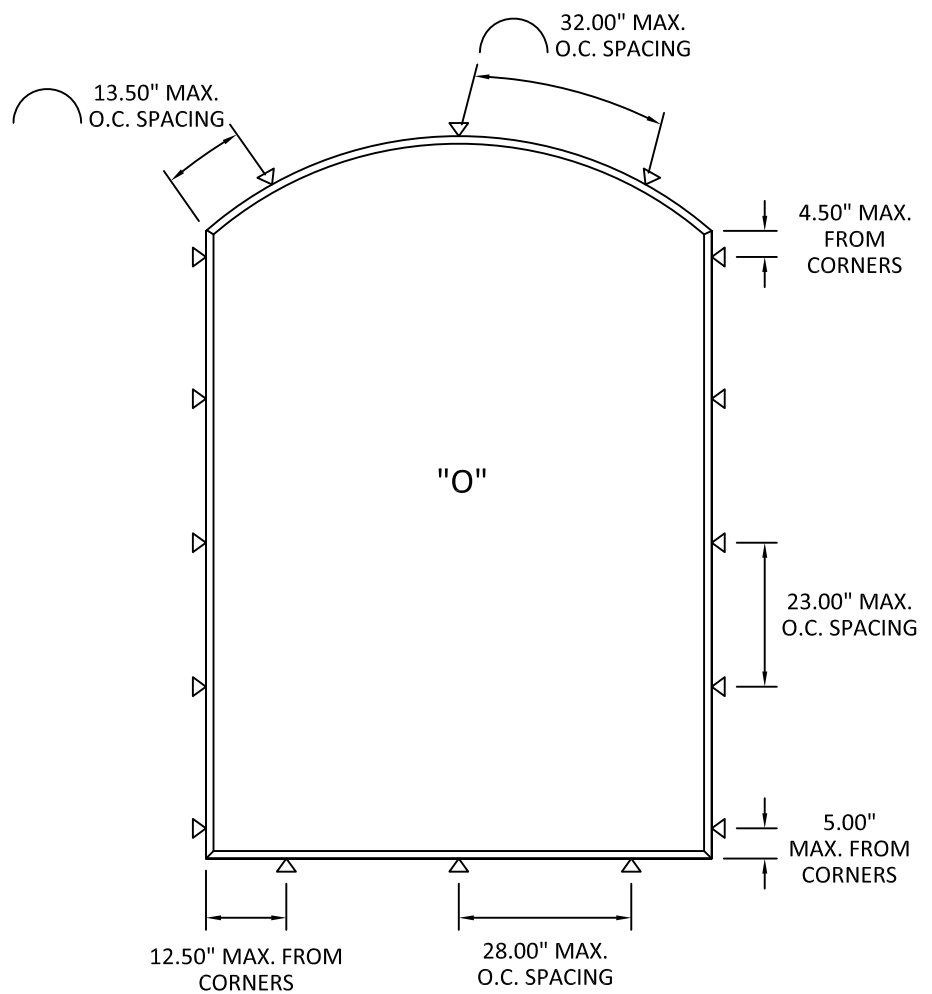
SHEET:

4

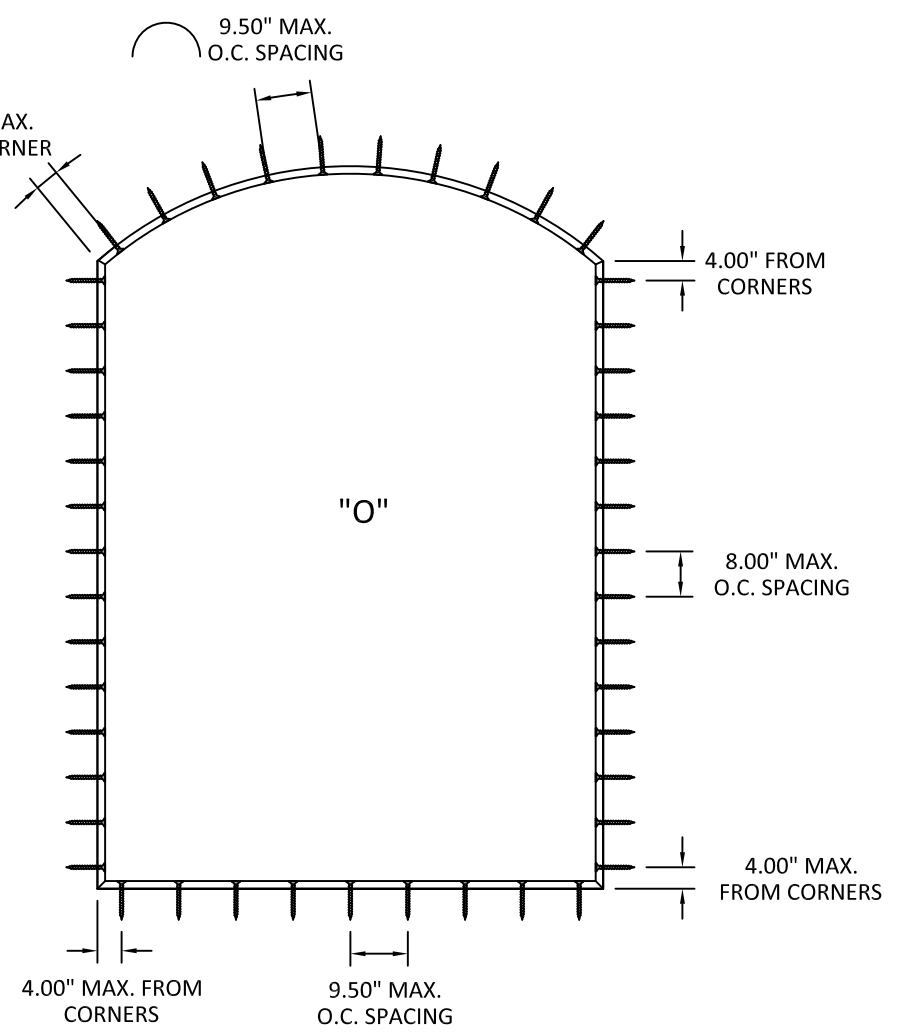
OF 8



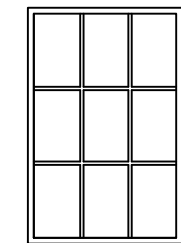
ELEVATION  
EXTERIOR VIEW



TYPICAL ANCHOR LAYOUT  
THROUGH BRACKET



TYPICAL ANCHOR LAYOUT  
THROUGH FRAME



SIMULATED DIVIDED LITE  
ALSO QUALIFIED

- THROUGH BRACKET ANCHORS
- THROUGH FRAME ANCHORS


s:\projects\palmcity\ironworks\inc\fb-19-0247-2-fb-submittal-fl27073-dwgs\fl27073-milano-series-fixed-window\pci007.dwg 4/22/2019 3:57 PM



PALM CITY IRONWORKS  
3160 KUTAK RD.  
FORT MYERS, FL 33916

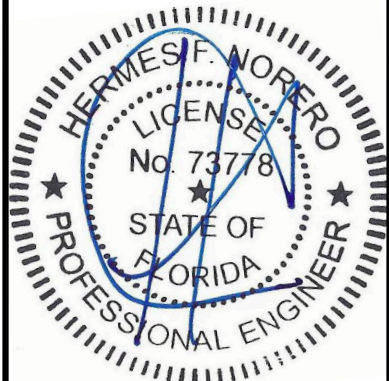
PH: (239) 691-8400 FX: (239)277-0061

TITLE: MILANO SERIES FIXED  
WINDOWS (IMPACT)  
(HVHZ)  
VERTICAL SECTIONS

PREPARED BY:  
  
BUILDING DROPS, INC.  
398 E. DANIA BEACH BLVD., STE. 338  
DANIA BEACH, FL 33004  
PH: (954)399-8478  
FAX: (954)744-4738  
WEB: www.buildingdrops.com

REMARKS	BY	DATE

THE INSTALLATION DETAILS DESCRIBED HEREIN ARE GENERIC AND MAY NOT REFLECT ACTUAL CONDITIONS FOR A SPECIFIC SITE. IF SITE CONDITIONS CAUSE INSTALLATION TO DEVIATE FROM THE REQUIREMENTS DETAILED HEREIN, A LICENSED ENGINEER OR ARCHITECT SHALL PREPARE SITE SPECIFIC DOCUMENTS FOR USE WITH THIS DOCUMENT



HERMES F. NORERO  
FLORIDA P. E. NO. 73778  
398 E. DANIA BEACH BLVD., STE. 338  
DANIA BEACH, FL 33004  
FBPE CERT. OF AUTHORIZATION NO. 29578

**FL27073**

DATE: 03.21.19

DWG. BY: JA      CHK. BY: HFN

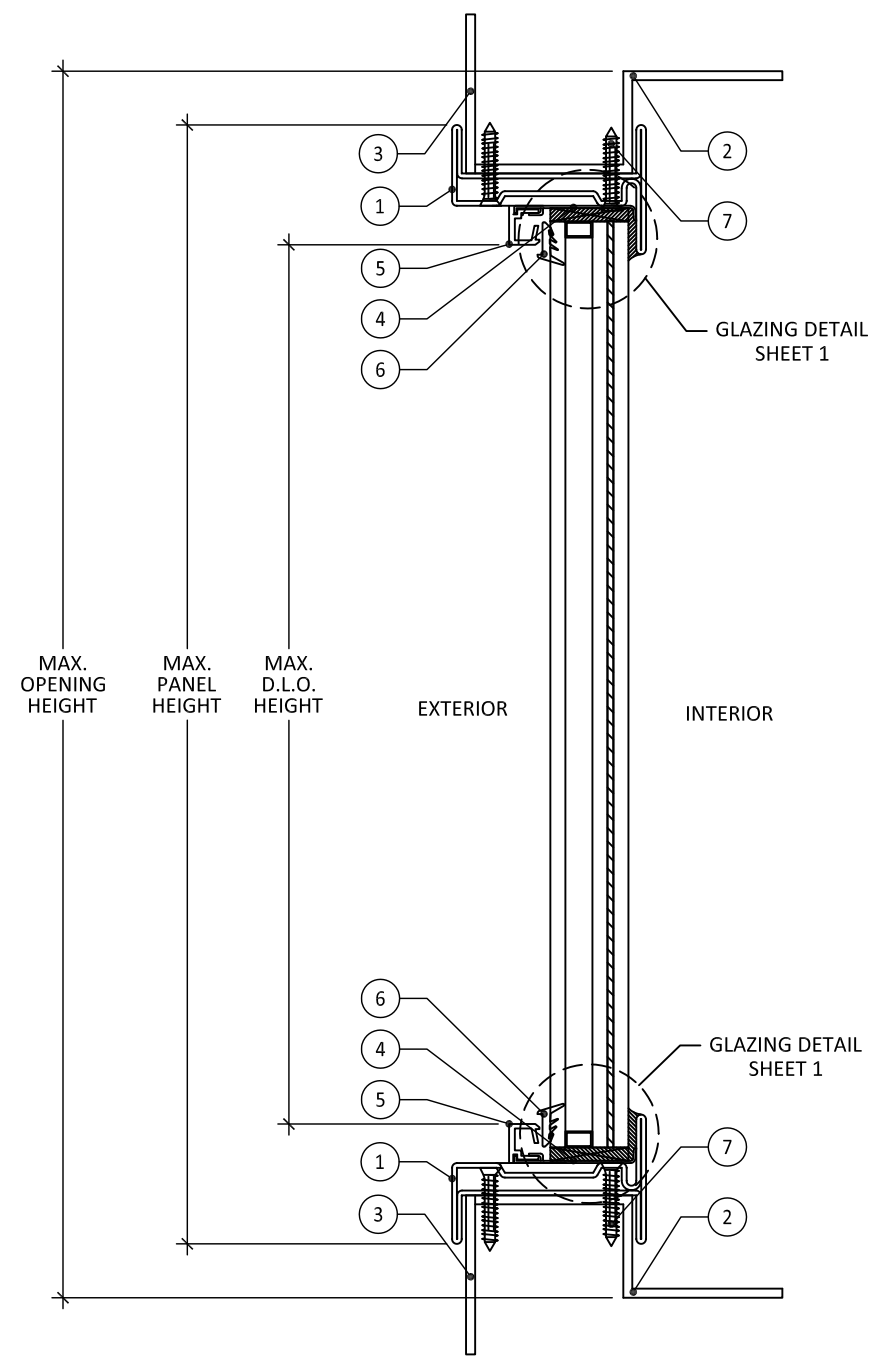
SCALE: NTS

DWG. #: PCI007

SHEET:

5

OF 8



**A**  
**5** VERTICAL SECTION

s:\projects\palmcity\ironworks\inc\fb-19-0247-2-fb-submittal-fb-27073.dwg 4/22/2019 3:57 PM

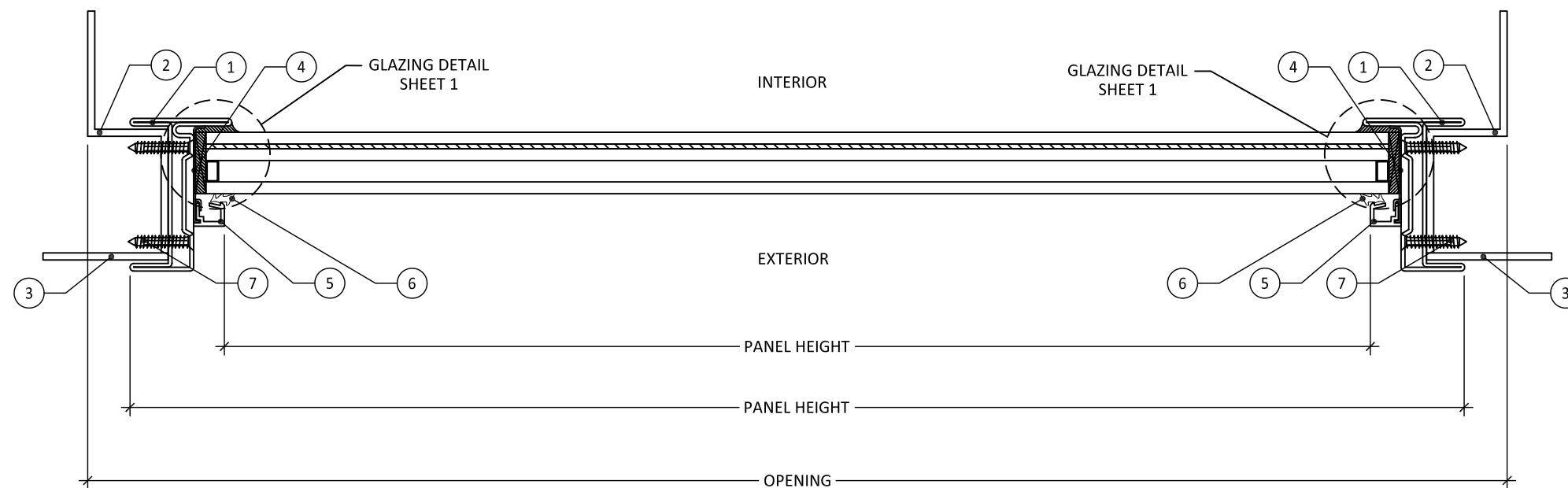


PALM CITY IRONWORKS  
3160 KUTAK RD.  
FORT MYERS, FL 33916

PH: (239) 691-8400 FX: (239)277-0061

TITLE: MILANO SERIES FIXED  
WINDOWS (IMPACT)  
(HVHZ)  
HORIZONTAL SECTIONS

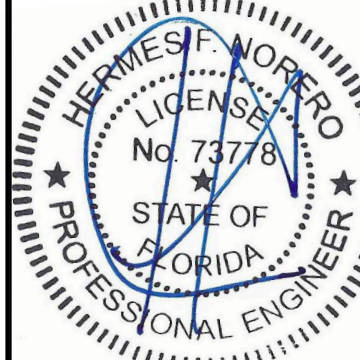
PREPARED BY:  
  
BUILDING DROPS, INC.  
398 E. DANIA BEACH BLVD., STE. 338  
DANIA BEACH, FL 33004  
PH: (954)399-8478  
FAX: (954)744-4738  
WEB: www.buildingdrops.com



**A**  
**6** HORIZONTAL SECTION

REMARKS	BY	DATE

THE INSTALLATION DETAILS DESCRIBED HEREIN ARE GENERIC AND MAY NOT REFLECT ACTUAL CONDITIONS FOR A SPECIFIC SITE. IF SITE CONDITIONS CAUSE INSTALLATION TO DEVIATE FROM THE REQUIREMENTS DETAILED HEREIN, A LICENSED ENGINEER OR ARCHITECT SHALL PREPARE SITE SPECIFIC DOCUMENTS FOR USE WITH THIS DOCUMENT



HERMES F. NORERO  
FLORIDA P. E. NO. 73778  
398 E. DANIA BEACH BLVD., STE. 338  
DANIA BEACH, FL 33004  
FBPE CERT. OF AUTHORIZATION NO. 29578

**FL27073**

DATE: 03.21.19

DWG. BY: JA

CHK. BY: HFN

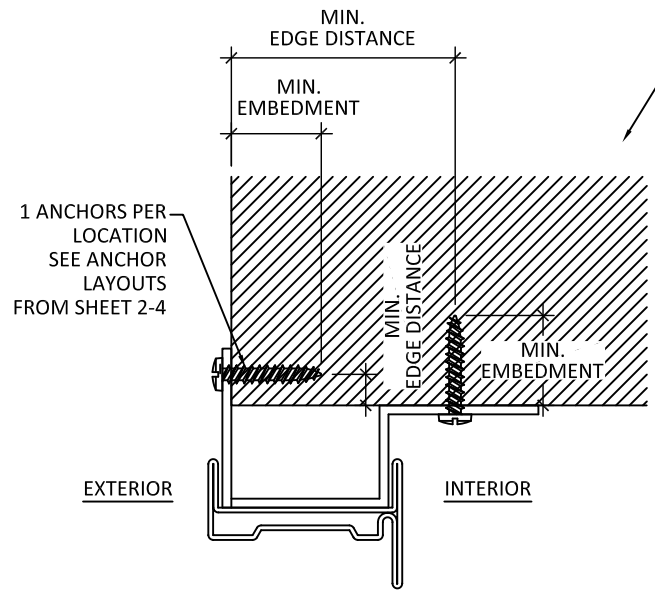
SCALE: NTS

DWG. #: PCI007

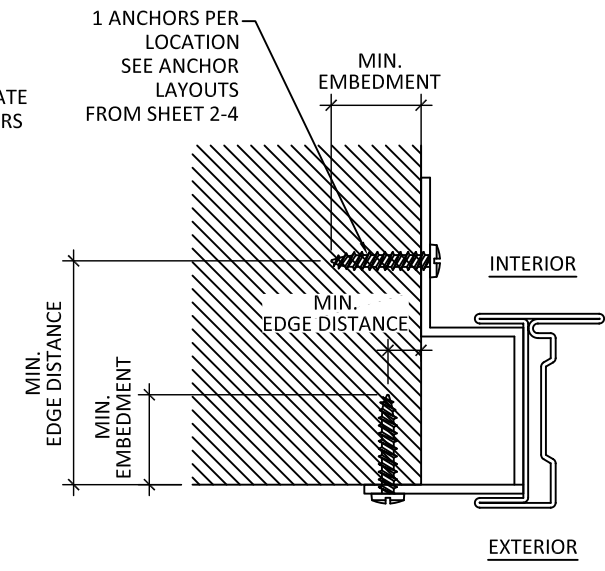
SHEET:  
**6**

OF 8

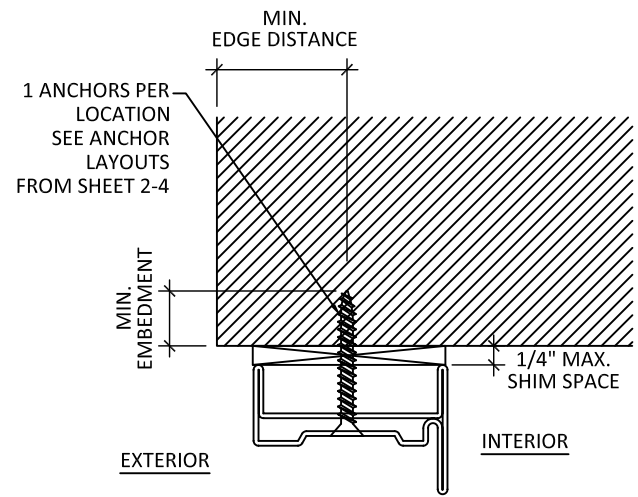
s:\projects\palmcity\ironworks\inc\fb-19-0247-2-fb-submittal-fb-27073-27073-milano-series-fixed-window\pci007.dwg 4/22/2019 3:57 PM



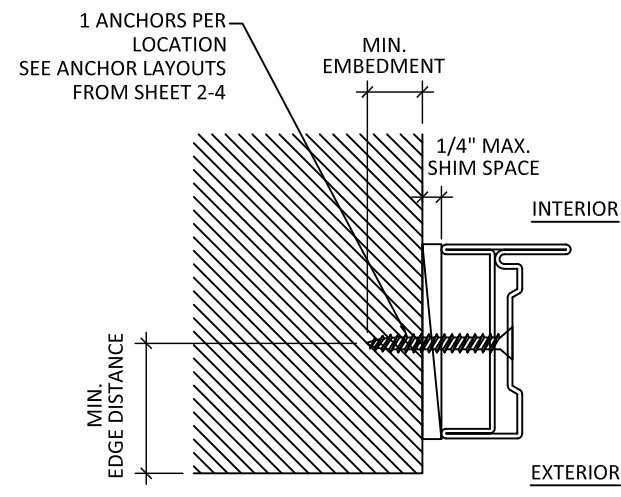
**A**  
**7** **ANCHOR INSTALLATION**  
THROUGH BRACKET (HEAD/SILL)



**B**  
**7** **ANCHOR INSTALLATION**  
THROUGH BRACKET (JAMBS)



**C**  
**7** **ANCHOR INSTALLATION**  
THROUGH FRAME (HEAD/SILL)



**D**  
**7** **ANCHOR INSTALLATION**  
THROUGH FRAME (JAMBS)

ANCHOR SCHEDULE				
METHOD	SUBSTRATE	ANCHOR SCHEDULE	MIN EMBEDMENT	MIN. EDGE DISTANCE
THROUGH METAL BRACKET	WOOD: MIN. SG = 0.55	#10 WOOD SCREW	1.50"	0.75"
	STEEL: MIN. 18 GAUGE, MIN. FY = 33 KSI	#10 TEK SCREW	3 THREADS MIN. PENETRATION BEYOND METAL	0.50"
THROUGH FRAME	WOOD: MIN. SG = 0.55	#14 WOOD SCREW	1.50"	1.00"
	STEEL: MIN. 18 GAUGE, MIN. FY = 36 KSI	1/4" TEK SCREW	3 THREADS MIN. PENETRATION BEYOND METAL	0.75"
	3000 PSI CONCRETE	1/4" ITW TAPCON	1.75"	1.25"
	MASONRY: CMU PER ASTM C90, MIN. 2000 PSI	1/4" ITW TAPCON	1.75"	1.25"

**INSTALLATION NOTES:**

- ONE (1) INSTALLATION ANCHOR IS REQUIRED AT EACH ANCHOR LOCATION SHOWN UNLESS OTHERWISE SPECIFIED.
- THE NUMBER OF INSTALLATION ANCHORS DEPICTED IS THE MINIMUM NUMBER OF ANCHORS TO BE USED FOR PRODUCT INSTALLATION OF THE MAXIMUM SIZE LISTED.
- FOR MASONRY OR CONCRETE OPENINGS A 1X WOOD BUCK MAY BE USED (OPTIONAL) AS LONG AS THE MINIMUM EMBEDMENT AND EDGE DISTANCE REQUIREMENTS ARE STILL MET WITHIN THE CORRESPONDING HOST SUBSTRATE.
- INSTALL INDIVIDUAL INSTALLATION ANCHORS WITHIN A TOLERANCE OF  $\pm 1/2$  INCH THE DEPICTED LOCATION & SPACING IN THE ANCHOR LAYOUT DETAILS (I.E., WITHOUT CONSIDERATION OF TOLERANCES). TOLERANCES ARE NOT CUMULATIVE FROM ONE INSTALLATION ANCHOR TO THE NEXT.
- SHIM AS REQUIRED AT EACH INSTALLATION ANCHOR WITH LOAD BEARING SHIM(S). MAXIMUM ALLOWABLE SHIM STACK TO BE 1/4 INCH. SHIM WHERE SPACE OF 1/16 INCH OR GREATER OCCURS. SHIM(S) SHALL BE CONSTRUCTED OF HIGH DENSITY, HIGH IMPACT, NON-METALIC, NON COMPRESSIBLE, NATURALLY DURABLE & PRESERVATIVE TREATED MATERIALS.
- MINIMUM EMBEDMENT AND EDGE DISTANCE EXCLUDE WALL FINISHES, INCLUDING BUT NOT LIMITED TO STUCCO, FOAM, BRICK VENEER, AND SIDING.
- INSTALLATION ANCHORS AND ASSOCIATED HARDWARE MUST BE MADE OF CORROSION RESISTANT MATERIAL OR HAVE A CORROSION RESISTANT COATING.
- FOR HOLLOW BLOCK AND GROUT FILLED BLOCK, DO NOT INSTALL INSTALLATION ANCHORS INTO MORTAR JOINTS. EDGE DISTANCE IS MEASURED FROM FREE EDGE OF BLOCK OR EDGE OF MORTAR JOINT INTO FACE SHELL OF BLOCK.
- INSTALLATION ANCHORS SHALL BE INSTALLED IN ACCORDANCE WITH ANCHOR MANUFACTURER'S INSTALLATION INSTRUCTIONS, AND ANCHORS SHALL NOT BE USED IN SUBSTRATES WITH STRENGTHS LESS THAN THE MINIMUM STRENGTH SPECIFIED BY THE ANCHOR MANUFACTURER.

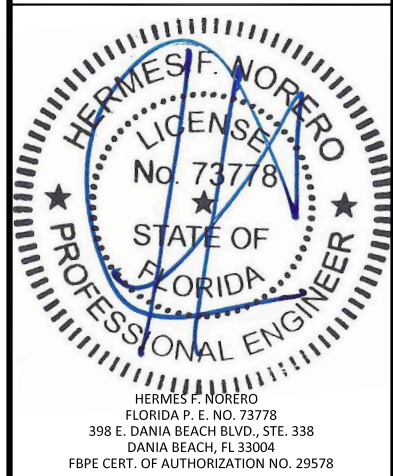


**Palm City IRONWORKS**  
PALM CITY IRONWORKS  
3160 KUTAK RD.  
FORT MYERS, FL 33916  
PH: (239) 691-8400 FX: (239)277-0061

TITLE: MILANO SERIES FIXED WINDOWS (IMPACT) (HVHZ)  
INSTALLATION DETAIL & NOTES  
PREPARED BY: BUILDING DROPS, INC.  
398 E. DANIA BEACH BLVD., STE. 338  
DANIA BEACH, FL 33004  
PH: (954)399-8478  
FAX: (954)744-4738  
WEB: www.buildingdrops.com

REMARKS	BY	DATE

THE INSTALLATION DETAILS DESCRIBED HEREIN ARE GENERIC AND MAY NOT REFLECT ACTUAL CONDITIONS FOR A SPECIFIC SITE. IF SITE CONDITIONS CAUSE INSTALLATION TO DEVIATE FROM THE REQUIREMENTS DETAILED HEREIN, A LICENSED ENGINEER OR ARCHITECT SHALL PREPARE SITE SPECIFIC DOCUMENTS FOR USE WITH THIS DOCUMENT



HERMES F. NORERO  
FLORIDA P. E. NO. 73778  
398 E. DANIA BEACH BLVD., STE. 338  
DANIA BEACH, FL 33004  
FBPE CERT. OF AUTHORIZATION NO. 29578

**FL27073**

DATE: 03.21.19

DWG. BY: JA      CHK. BY: HFN

SCALE: NTS

DWG. #: PCI007

SHEET:

7

OF 8



PALM CITY IRONWORKS  
3160 KUTAK RD.  
FORT MYERS, FL 33916

PH: (239) 691-8400 FX: (239)277-0061

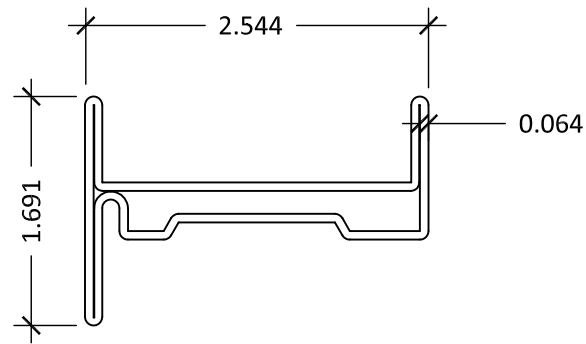
TITLE: MILANO SERIES FIXED  
WINDOWS (IMPACT)  
(HVHZ)  
BILL OF MATERIALS AND COMPONENTS

PREPARED BY:

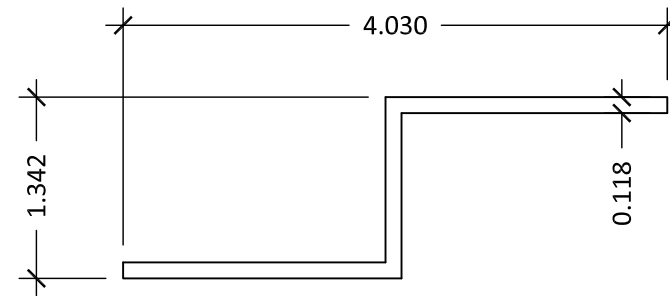
**BUILDING DROPS, INC.**  
398 E. DANIA BEACH BLVD., STE. 338  
DANIA BEACH, FL 33004  
PH: (954)399-8478  
FAX: (954)744-4738  
WEB: www.buildingdrops.com



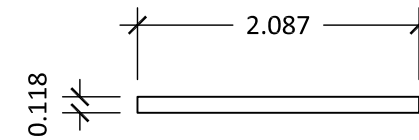
BILL OF MATERIALS				
ITEM	PART NO.	DESCRIPTION	MATERIAL	MANUFACTURER
1	30.923	FRAME HEAD/SILL/JAMB	Q235 B STEEL	JANSEN AG
2	-	BRACKET	Q235B STEEL	XIAMEN JINZHIXING INDUSTRIAL CO.,LTD
3	-	FIN	Q235B STEEL	XIAMEN JINZHIXING INDUSTRIAL CO.,LTD
4	CP43	CLIP FOR GLAZING BEAD	ALUMINUM 160 MPA MIN. TENSILE STRENGTH	MONTANSTAHL AG
5	CTF13	GLAZING BEAD	ALUMINUM 160 MPA MIN. TENSILE STRENGTH	FUJIAN MINFA ALUMINUM INC.
6	900.012	FRONT GASKET	EPDM	MONTANSTAHL AG
7	LS267	#10 X 1" SMS @ 32" O.C.	-	XIAMEN JINZHIXING INDUSTRIAL CO.,LTD



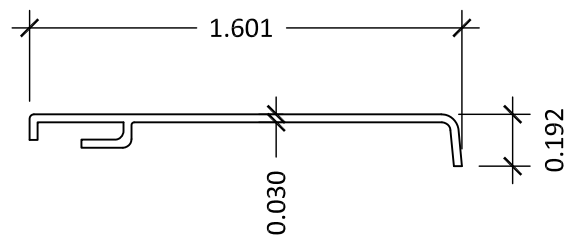
① FRAME HEAD/SILL/JAMB



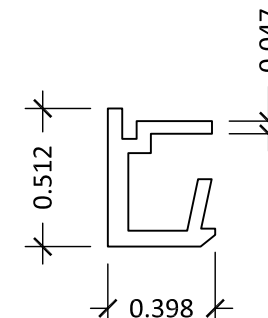
② IRON BRACKET



③ IRON FIN



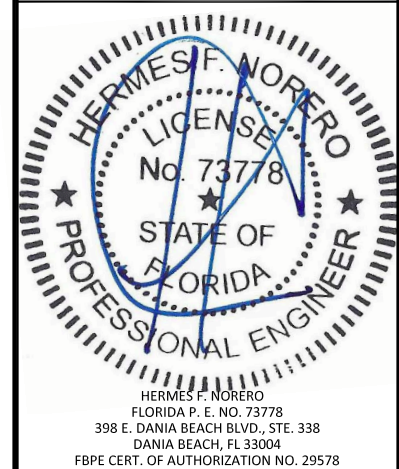
④ CLIP FOR GLAZING BEAD



⑤ GLAZING BEAD

REMARKS	BY	DATE

THE INSTALLATION DETAILS DESCRIBED HEREIN ARE GENERIC AND MAY NOT REFLECT ACTUAL CONDITIONS FOR A SPECIFIC SITE. IF SITE CONDITIONS CAUSE INSTALLATION TO DEVIATE FROM THE REQUIREMENTS DETAILED HEREIN, A LICENSED ENGINEER OR ARCHITECT SHALL PREPARE SITE SPECIFIC DOCUMENTS FOR USE WITH THIS DOCUMENT



**FL27073**

DATE: 03.21.19

DWG. BY: JA      CHK. BY: HFN

SCALE: NTS

DWG. #: PCI007

SHEET:

8

OF 8

4/22/2019 3:58 PM  
s:\projects\palmcity\ironworks\inc\fb-19-0247-2-fb-submittal-fb-27073\11-27073-milano-series-fixed-window\pci007.dwg